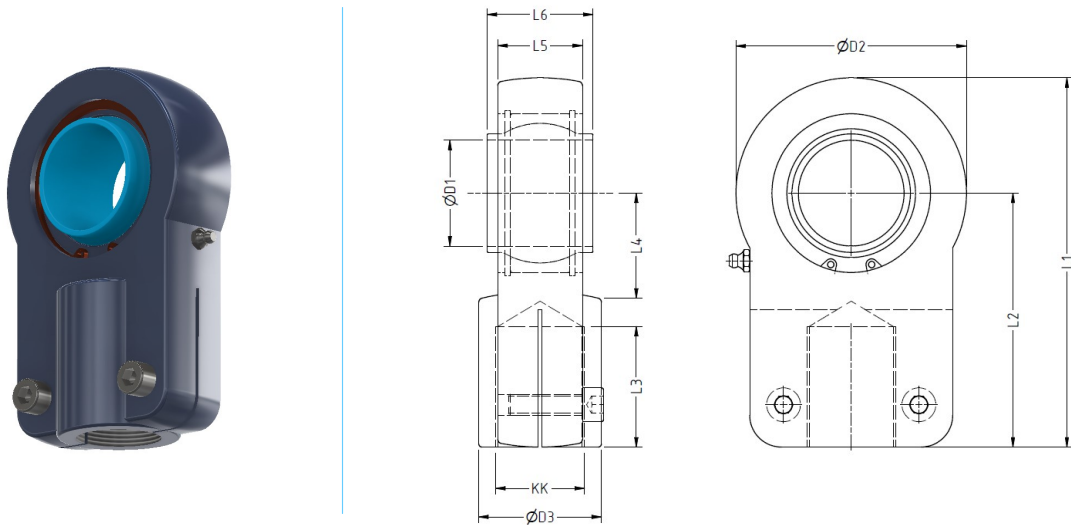


5 Self Aligning Clevis - Long :



Installation Dimensions & Specifications :

PART NUMBER	DIMENSIONS										LOAD RATING (kN)		WEIGHT (kg)
	D1	D2	D3	KK (6H)	L1	L2	L3	L4	L5	L6	Dynamic	Static	
RXLR12	12	32	16	M12x1.25	54	38	17	14	11	12	10	24.5	0.11
RXLR16	16	40	21	M14x1.5	64	44	19	18	14	16	17	36.5	0.20
RXLR20	20	47	25	M16x1.5	77	52	23	22	17	20	30	48	0.35
RXLR25	25	58	30	M20x1.5	96	65	29	27	22	25	48	78	0.62
RXLR32	32	71	38	M27x2	118.5	80	42	32	28	32	65	114	1.15
RXLR40	40	90	47	M33x2	146	97	52.5	41	33	40	99	204	2.18
RXLR50	50	109	58	M42x2	179.5	120	63.5	50	40	50	156	310	3.96
RXLR63	63	136	70	M48x2	211	140	72	62	53	63	253	430	6.23
RXLR70	70	155	80	M56x2	245	160	84	70	57	70	313	540	11.1
RXLR80	80	170	90	M64x3	270	180	92.5	78	67	80	400	695	15.1
RXLR90	90	185	100	M72x3	296	195	103	85	72	90	488	750	19.1
RXLR100	100	211	110	M80x3	322.5	210	108	98	85	100	607	1060	25.5
RXLR110	110	235	125	M90x3	364	235	118	105	88	110	654	1200	36.6
RXLR125	125	265	135	M100x3	405	260	125	120	103	125	950	1430	52.6
RXLR160	160	326	165	M125x4	488	310	138	150	130	160	1360	2200	79
RXLR200	200	418	215	M160x4	620	390	173	195	162	200	2120	3650	164

All dimensions are in mm .

NOTE: For Left Hand thread, add suffix – “L” to Part Number. Example: RXLR110-L